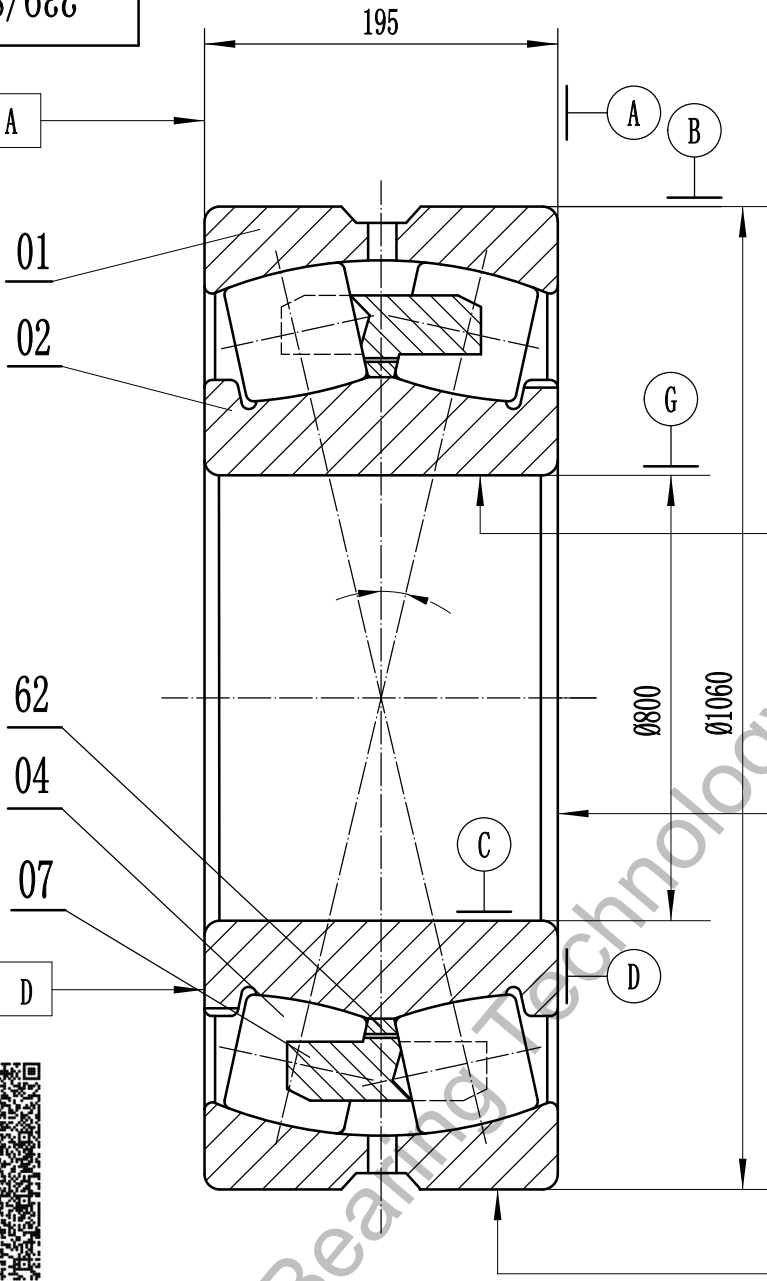




/// V_{Cs} A



⊖ V_{dsp}
 / V_{dmp}
 ↗ K_{ia} B

↗ S_d G

⊖ V_{Dsp}
 / V_{Dmp}
 ↗ K_{ea} C
 ∇ S_D A

/// V_{Bs} D



- 1、Tolerance of running accuracy are according to relevant state standard;
- 2、The value of the basic group of radial clearance:min **** max ****;
- 3、Rated load: Cr= **** kN Cor= **** kN.

62	Guide ring	Steel 20—GB/T699			
07	Cage	Brass CuZn39Pb2—EN 1652:1997			
04	Roller	Steel 100CrMnSi6-4—ISO 683-17:1999			
02	Inner ring	Steel 100CrMnSi6-4—ISO 683-17:1999			
01	Outer ring	Steel 100CrMnSi6-4—ISO 683-17:1999			

No.	Designation	Qty	Material	unit	total	Remark
				Weight (kg)		

Luoyang JCB Bearing Technology Co., Ltd Contact information Company Address : No. 285, Fenghua road, Luoyang, Henan, China. Postal code : 471000 Phone :86-379-68611678 Fax : 86-379-68611679 E-mail: sales@jcb-bearing.com Reserved E-mail: sales@sphericalrollerbearing.net Website: www.jcb-bearing.com www.sphericalrollerbearing.net	<h2>Spherical Roller Bearing</h2>			239/800 CA/W33					
						Weight (kg)	Scale		
				S				—	
				Total page 5			Page No. 1		
				Luoyang JCB Bearing Technology Co., Ltd					